

STARPOWER

SEMICONDUCTOR

IGBT

GD400FFX65P3H

650V/400A 6 in one-package

General Description

STARPOWER IGBT Power Module provides ultra low conduction loss as well as short circuit ruggedness. They are designed for the applications such as hybrid and electric vehicles.

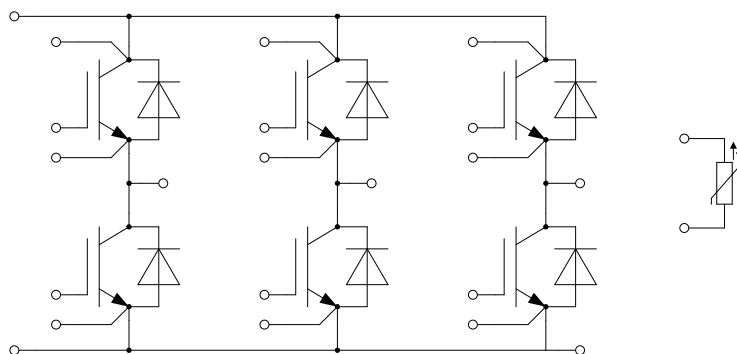
Features

- Low $V_{CE(sat)}$ Trench IGBT technology
- 6 μ s short circuit capability
- $V_{CE(sat)}$ with positive temperature coefficient
- Maximum junction temperature 175°C
- Low inductance case
- Fast & soft reverse recovery anti-parallel FWD
- Isolated copper baseplate using DBC technology

Typical Applications

- Automotive application
- Hybrid and electric vehicle
- Inverter for motor drive

Equivalent Circuit Schematic



Absolute Maximum Ratings $T_F=25^{\circ}\text{C}$ unless otherwise noted**IGBT**

Symbol	Description	Value	Unit
V_{CES}	Collector-Emitter Voltage	650	V
V_{GES}	Gate-Emitter Voltage	± 20	V
I_C	Collector Current @ $T_F=25^{\circ}\text{C}$	500	A
	@ $T_F=65^{\circ}\text{C}$	400	
I_{CM}	Pulsed Collector Current $t_p=1\text{ms}$	800	A
P_D	Maximum Power Dissipation @ $T_F=175^{\circ}\text{C}$	750	W

Diode

Symbol	Description	Value	Unit
V_{RRM}	Repetitive Peak Reverse Voltage	650	V
I_F	Diode Continuous Forward Current	400	A
I_{FM}	Diode Maximum Forward Current $t_p=1\text{ms}$	800	A

Module

Symbol	Description	Value	Unit
T_{jmax}	Maximum Junction Temperature	175	$^{\circ}\text{C}$
T_{jop}	Operating Junction Temperature	-40 to +150	$^{\circ}\text{C}$
T_{STG}	Storage Temperature Range	-40 to +125	$^{\circ}\text{C}$
V_{ISO}	Isolation Voltage RMS, $f=50\text{Hz}$, $t=1\text{min}$	2500	V

IGBT Characteristics $T_F=25^\circ\text{C}$ unless otherwise noted

Symbol	Parameter	Test Conditions	Min.	Typ.	Max.	Unit
$V_{CE(sat)}$	Collector to Emitter Saturation Voltage	$I_C=400\text{A}, V_{GE}=15\text{V}, T_F=25^\circ\text{C}$		1.45	1.90	V
		$I_C=400\text{A}, V_{GE}=15\text{V}, T_F=125^\circ\text{C}$		1.60		
		$I_C=400\text{A}, V_{GE}=15\text{V}, T_F=150^\circ\text{C}$		1.70		
$V_{GE(th)}$	Gate-Emitter Threshold Voltage	$I_C=6.4\text{mA}, V_{CE}=V_{GE}, T_F=25^\circ\text{C}$	5.1	5.8	6.5	V
I_{CES}	Collector Cut-Off Current	$V_{CE}=V_{CES}, V_{GE}=0\text{V}, T_F=25^\circ\text{C}$			1.0	mA
I_{GES}	Gate-Emitter Leakage Current	$V_{GE}=V_{GES}, V_{CE}=0\text{V}, T_F=25^\circ\text{C}$			400	nA
R_{Gint}	Internal Gate Resistance			1.0		Ω
C_{ies}	Input Capacitance			46.4		nF
C_{res}	Reverse Transfer Capacitance	$V_{CE}=25\text{V}, f=1\text{MHz}, V_{GE}=0\text{V}$		0.91		nF
Q_G	Gate Charge	$V_{GE}=-15\dots+15\text{V}$		2.77		μC
$t_{d(on)}$	Turn-On Delay Time	$V_{CC}=300\text{V}, I_C=400\text{A}, R_G=1.8\Omega, V_{GE}=\pm 15\text{V}, T_F=25^\circ\text{C}$		80		ns
t_r	Rise Time			64		ns
$t_{d(off)}$	Turn-Off Delay Time			368		ns
t_f	Fall Time			40		ns
E_{on}	Turn-On Switching Loss			2.3		mJ
E_{off}	Turn-Off Switching Loss			10.4		mJ
$t_{d(on)}$	Turn-On Delay Time	$V_{CC}=300\text{V}, I_C=400\text{A}, R_G=1.8\Omega, V_{GE}=\pm 15\text{V}, T_F=125^\circ\text{C}$		88		ns
t_r	Rise Time			64		ns
$t_{d(off)}$	Turn-Off Delay Time			400		ns
t_f	Fall Time			56		ns
E_{on}	Turn-On Switching Loss			3.4		mJ
E_{off}	Turn-Off Switching Loss			12.8		mJ
$t_{d(on)}$	Turn-On Delay Time	$V_{CC}=300\text{V}, I_C=400\text{A}, R_G=1.8\Omega, V_{GE}=\pm 15\text{V}, T_F=150^\circ\text{C}$		96		ns
t_r	Rise Time			64		ns
$t_{d(off)}$	Turn-Off Delay Time			400		ns
t_f	Fall Time			64		ns
E_{on}	Turn-On Switching Loss			3.6		mJ
E_{off}	Turn-Off Switching Loss			13.6		mJ
I_{SC}	SC Data	$t_p \leq 6\mu\text{s}, V_{GE}=15\text{V}, T_F=150^\circ\text{C}, V_{CC}=360\text{V}, V_{CEM} \leq 650\text{V}$		2000		A

Diode Characteristics $T_F=25^{\circ}\text{C}$ unless otherwise noted

Symbol	Parameter	Test Conditions	Min.	Typ.	Max.	Unit
V_F	Diode Forward Voltage	$I_F=400\text{A}, V_{GE}=0\text{V}, T_F=25^{\circ}\text{C}$		1.55	2.00	V
		$I_F=400\text{A}, V_{GE}=0\text{V}, T_F=125^{\circ}\text{C}$		1.50		
		$I_F=400\text{A}, V_{GE}=0\text{V}, T_F=150^{\circ}\text{C}$		1.45		
Q_r	Recovered Charge	$V_R=300\text{V}, I_F=400\text{A},$ $-di/dt=6050\text{A}/\mu\text{s}, V_{GE}=-15\text{V}$ $T_F=25^{\circ}\text{C}$		19.8		μC
I_{RM}	Peak Reverse Recovery Current			231		A
E_{rec}	Reverse Recovery Energy			3.96		mJ
Q_r	Recovered Charge	$V_R=300\text{V}, I_F=400\text{A},$ $-di/dt=6050\text{A}/\mu\text{s}, V_{GE}=-15\text{V}$ $T_F=125^{\circ}\text{C}$		33.0		μC
I_{RM}	Peak Reverse Recovery Current			308		A
E_{rec}	Reverse Recovery Energy			7.98		mJ
Q_r	Recovered Charge	$V_R=300\text{V}, I_F=400\text{A},$ $-di/dt=6050\text{A}/\mu\text{s}, V_{GE}=-15\text{V}$ $T_F=150^{\circ}\text{C}$		37.4		μC
I_{RM}	Peak Reverse Recovery Current			330		A
E_{rec}	Reverse Recovery Energy			9.13		mJ

NTC Characteristics $T_F=25^{\circ}\text{C}$ unless otherwise noted

Symbol	Parameter	Test Conditions	Min.	Typ.	Max.	Unit
R_{25}	Rated Resistance			5.0		k Ω
$\Delta R/R$	Deviation of R_{100}	$T_C=100^{\circ}\text{C}, R_{100}=493.3\Omega$	-5		5	%
P_{25}	Power Dissipation				20.0	mW
$B_{25/50}$	B-value	$R_2=R_{25}\exp[B_{25/50}(1/T_2-1/(298.15\text{K}))]$		3375		K
$B_{25/80}$	B-value	$R_2=R_{25}\exp[B_{25/80}(1/T_2-1/(298.15\text{K}))]$		3411		K
$B_{25/100}$	B-value	$R_2=R_{25}\exp[B_{25/100}(1/T_2-1/(298.15\text{K}))]$		3433		K

Module Characteristics $T_F=25^{\circ}\text{C}$ unless otherwise noted

Symbol	Parameter	Min.	Typ.	Max.	Unit
Δp	Pressure Drop Cooling Circuit $\Delta V/\Delta t=10.0\text{dm}^3/\text{min}; T_F=25^{\circ}\text{C};$ Cooling Fluid=50% Water/50% Ethylene Glycol		50		mbar
p	Maximum Pressure In Cooling Circuit			2.0	bar
L_{CE}	Stray Inductance		30		nH
$R_{CC'+EE'}$	Module Lead Resistance, Terminal to Chip		1.00		m Ω
R_{thJF}	Junction-to-Cooling Fluid (per IGBT) Junction-to-Cooling Fluid (per Diode)			0.200 0.280	K/W
M	Terminal Connection Torque, Screw M6 Mounting Torque, Screw M5	3.0 3.0		6.0 6.0	N.m
G	Weight of Module		665		g

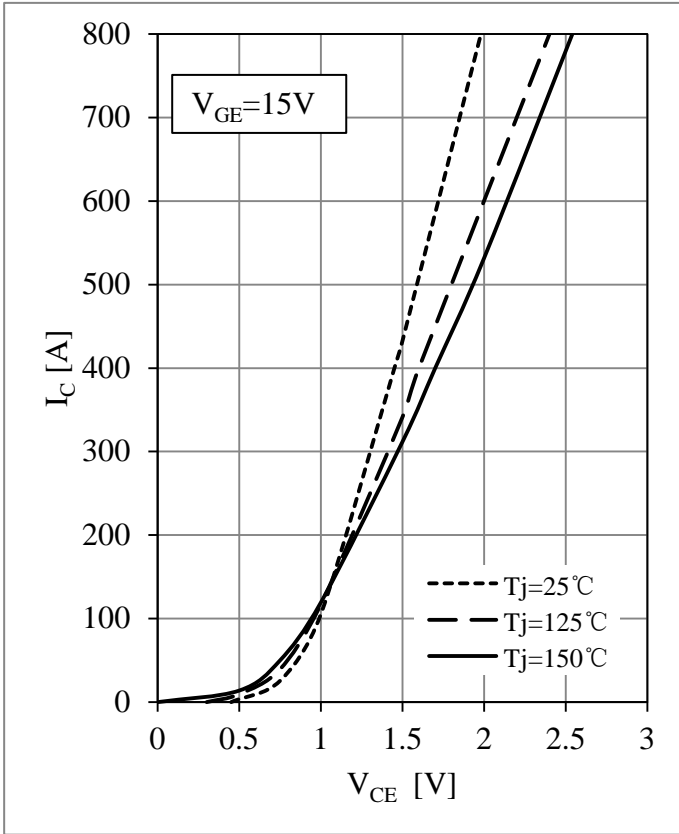


Fig 1. IGBT Output Characteristics

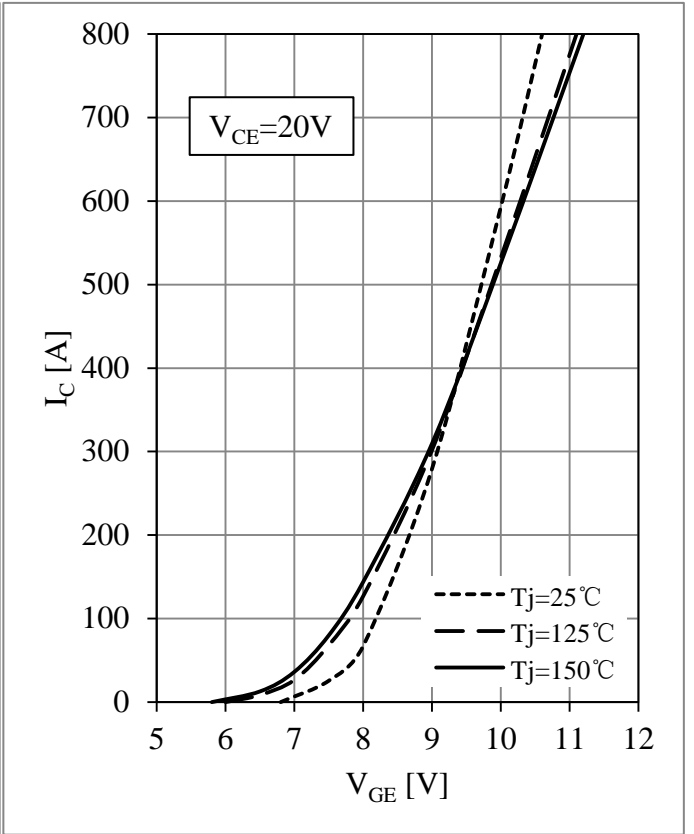


Fig 2. IGBT Transfer Characteristics

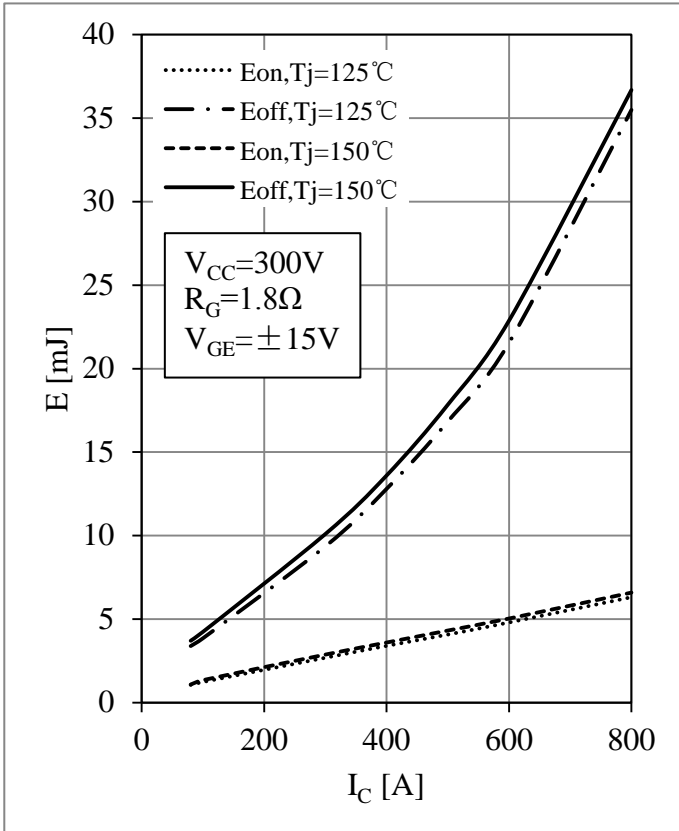


Fig 3. IGBT Switching Loss vs. I_C

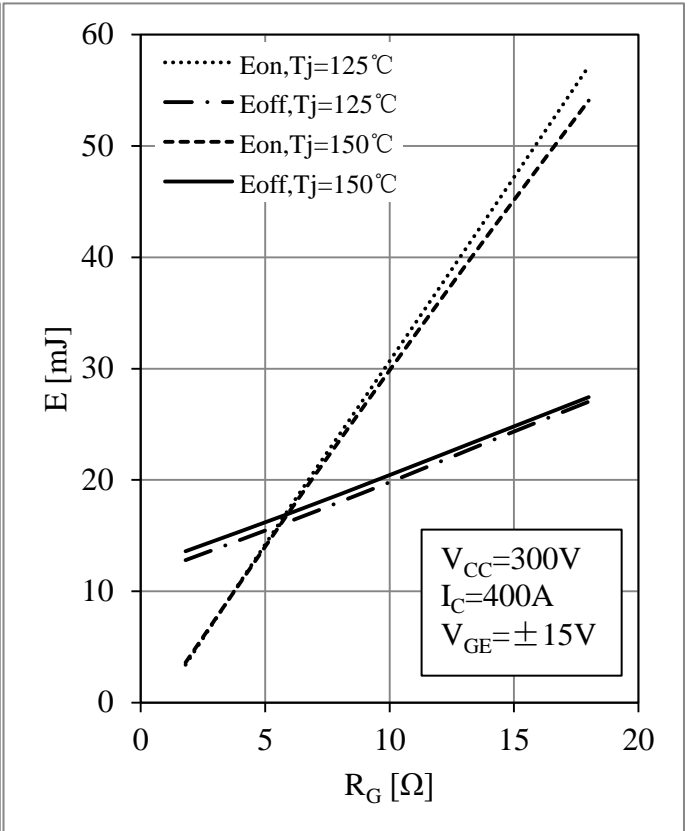


Fig 4. IGBT Switching Loss vs. R_G

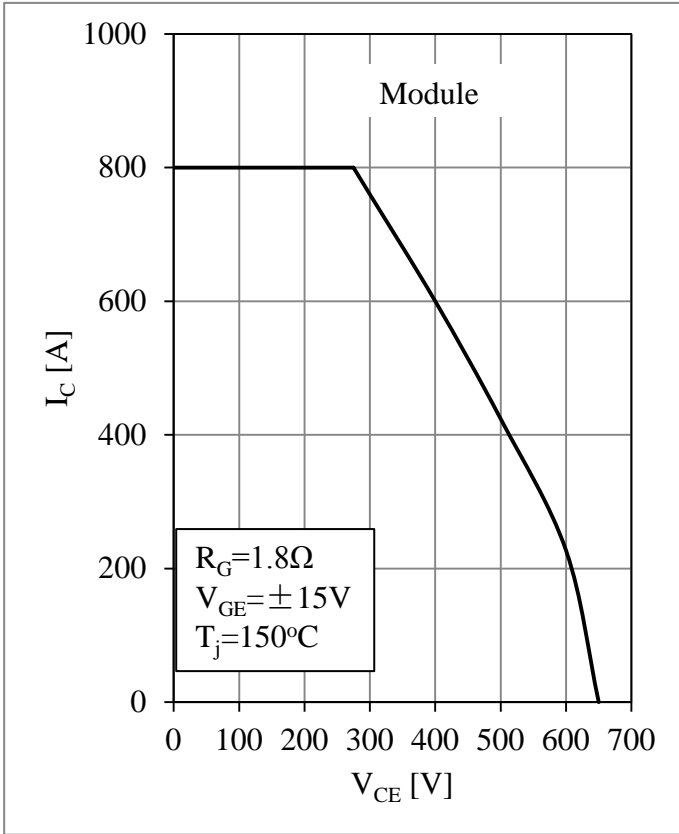


Fig 5. RBSOA

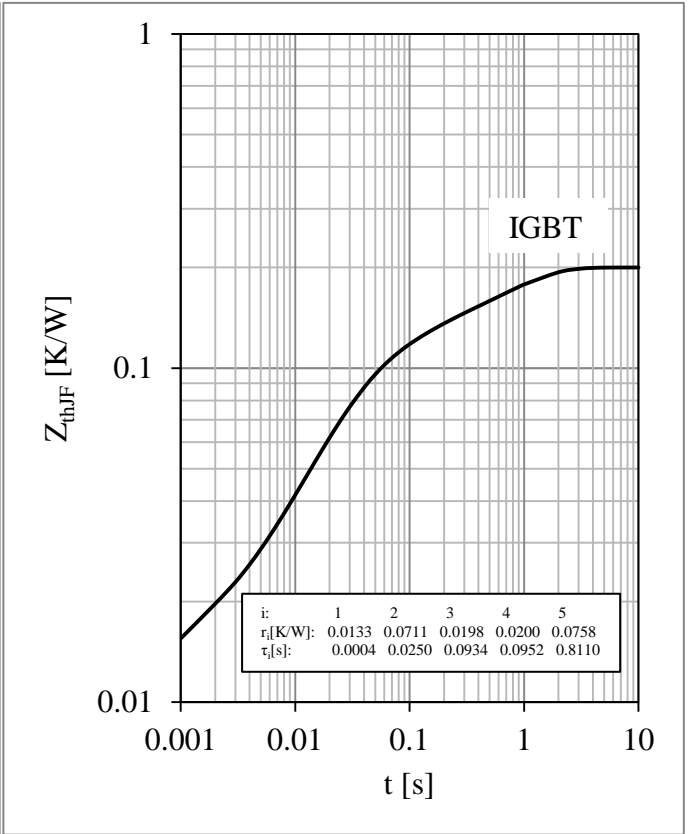


Fig 6. IGBT Transient Thermal Impedance

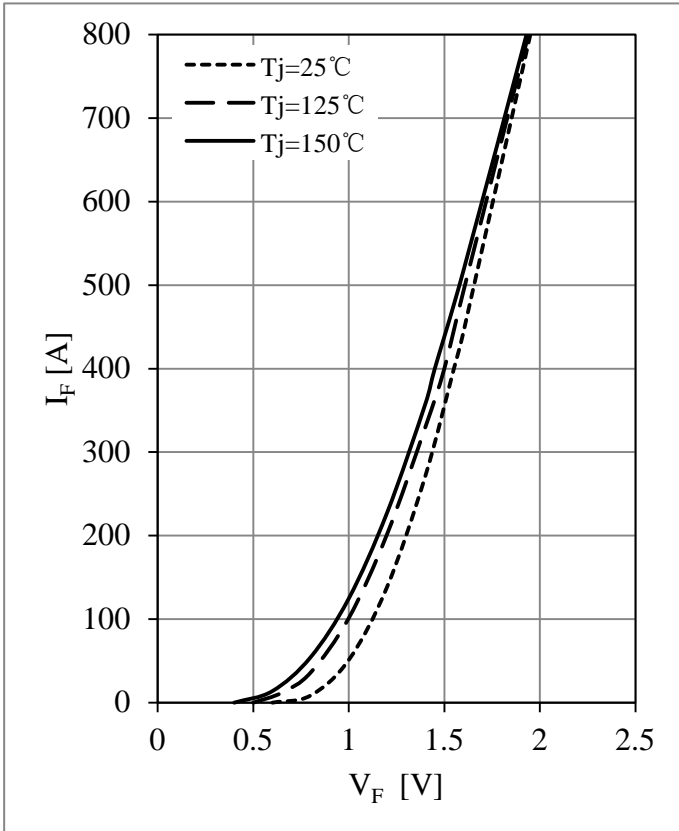


Fig 7. Diode Forward Characteristics

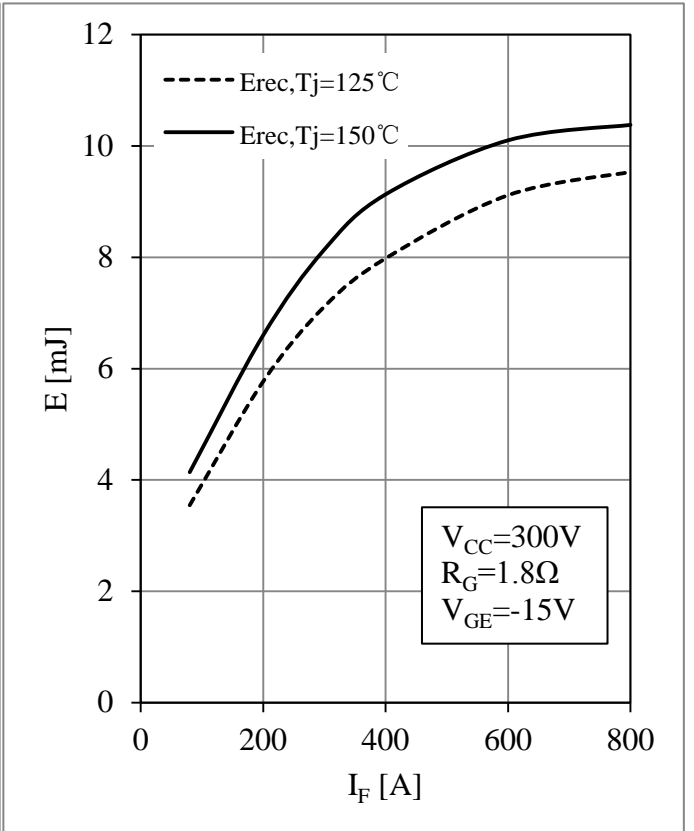


Fig 8. Diode Switching Loss vs. I_F

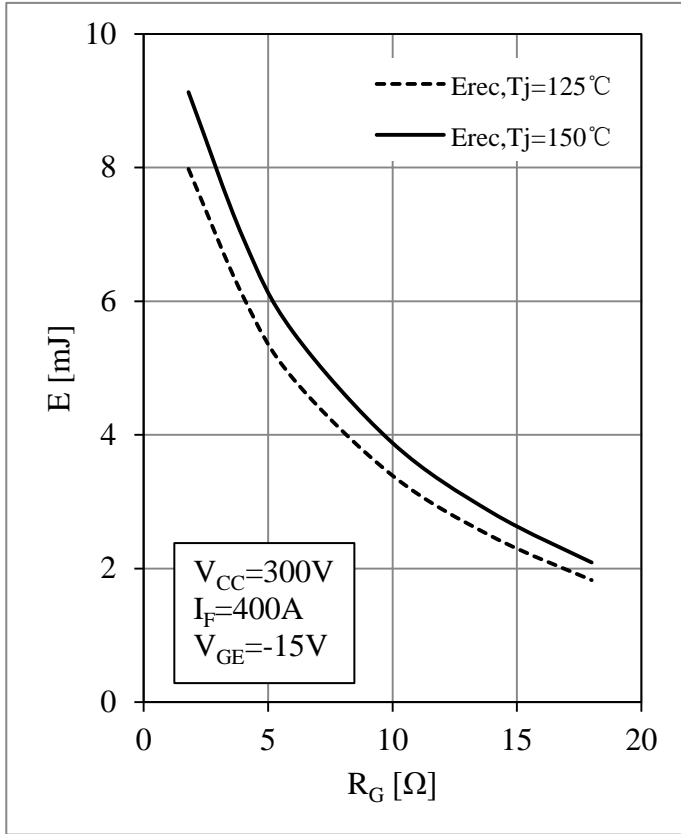


Fig 9. Diode Switching Loss vs. R_G

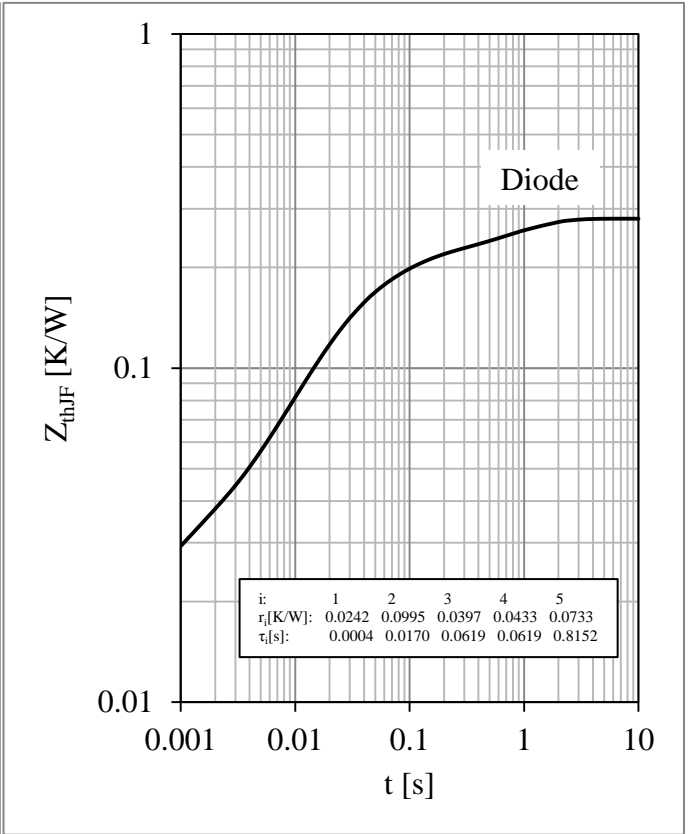


Fig 10. Diode Transient Thermal Impedance

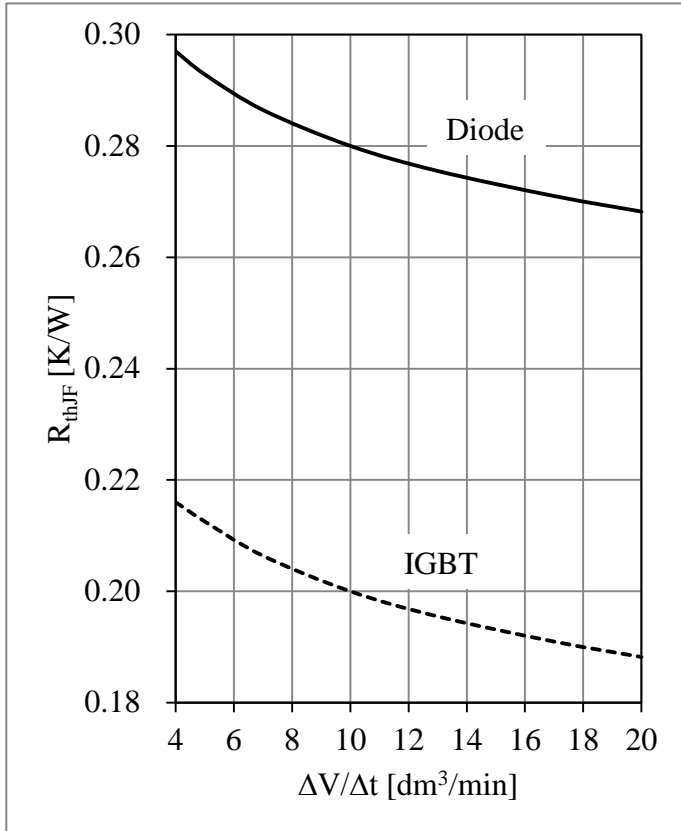


Fig 11. Thermal Impedance

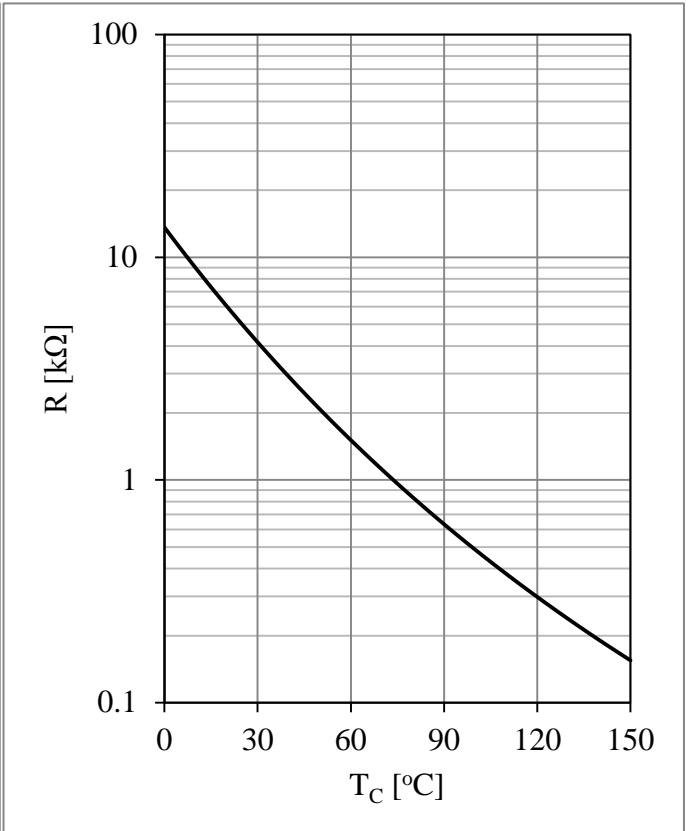
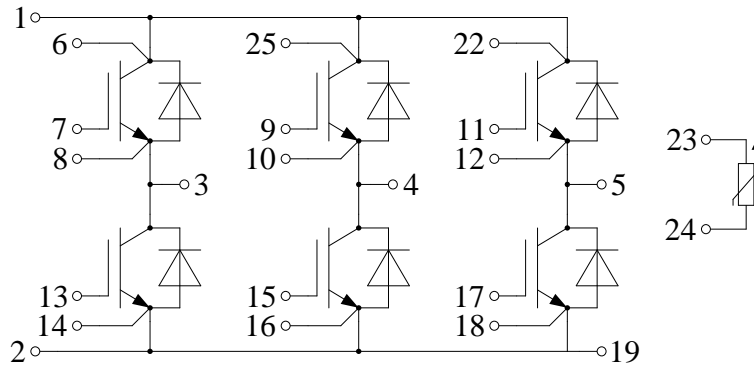


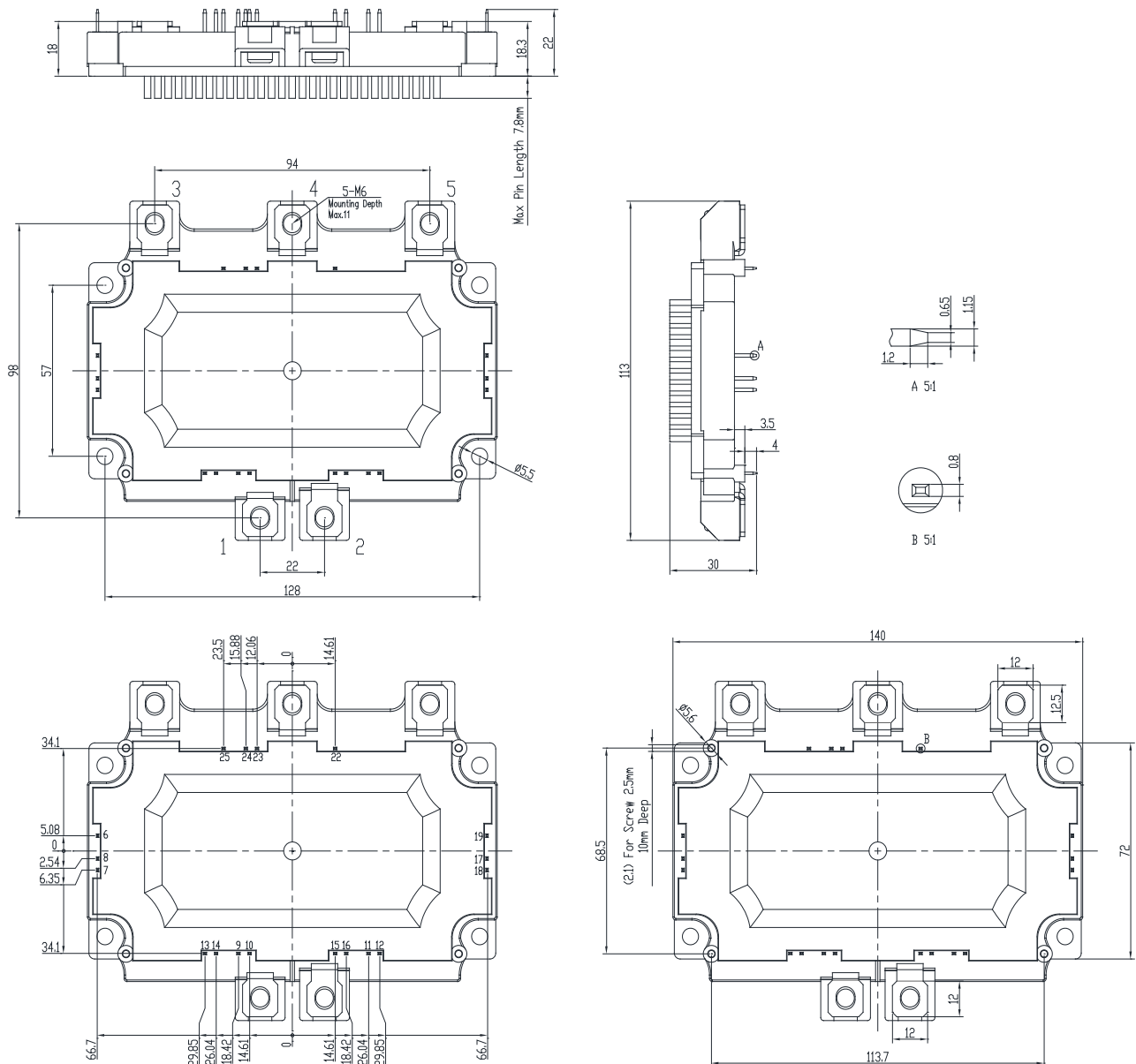
Fig 11. NTC Temperature Characteristic

Characteristic Circuit Schematic



Package Dimensions

Dimensions in Millimeters



Terms and Conditions of Usage

The data contained in this product datasheet is exclusively intended for technically trained staff. you and your technical departments will have to evaluate the suitability of the product for the intended application and the completeness of the product data with respect to such application.

This product data sheet is describing the characteristics of this product for which a warranty is granted. Any such warranty is granted exclusively pursuant the terms and conditions of the supply agreement. There will be no guarantee of any kind for the product and its characteristics.

Should you require product information in excess of the data given in this product data sheet or which concerns the specific application of our product, please contact the sales office, which is responsible for you (see www.powersemi.cc), For those that are specifically interested we may provide application notes.

Due to technical requirements our product may contain dangerous substances. For information on the types in question please contact the sales office, which is responsible for you.

Should you intend to use the Product in aviation applications, in health or live endangering or life support applications, please notify.

If and to the extent necessary, please forward equivalent notices to your customers.
Changes of this product data sheet are reserved.